



Denman Conservancy Association

NEWSLETTER

P.O. Box 60, Denman Island, B.C. V0R 1T0

October 2007

Checkerspot Butterfly Update

Taylor's Checkerspot (*Euphydryas editha taylori*) is on the British Columbia provincial red-list, and is listed as **Endangered** under the federal *Species at Risk Act*. The species was thought to be extirpated from Canada, but was re-discovered in 2005 at one site on Denman Island by biologist Jenny Balke. Denman Island is currently the only known location for the species in Canada.

So starts the Introduction to the report "**Taylor's Checkerspot (*Euphydryas editha taylori*) on the Denman Island Settlement Lands**" by **Cris Guppy, RPBio**, commissioned by the BC Ministry of the Environment in the spring of 2007. This survey and report were concerned only with the Settlement Lands.

The conclusions, paraphrased here, summarize the report which can be seen in its totality (tables, maps and photographs) on the DCA website:
www.denmanis.bc.ca/conserv

1. A small but apparently healthy population of Taylor's Checkerspot exists on the Settlement Lands which reproduces and lives in two general areas on the Settlement Lands
2. Taylor's Checkerspot reproduces in vernal pools and vernal wetlands, with the dominant vegetation being sedges (*Carex* sp.) and rushes (*Juncus effuses*). This is a previously undocumented habitat type for this species.
3. The butterfly uses two *Veronica* species (family Scrophulariaceae), American brooklime (*Veronica beccabunga* var. *americana*) and thyme-leaved speedwell (*Veronica serpyllifolia*), as the only pre-diapause larval foodplant on the Settlement Lands. This is a previously undocumented use of *Veronica* as the primary or sole foodplant by Taylor's Checkerspot.
4. Trailing blackberry, woodland strawberry, and (less so) buttercup species are used as nectar sources by Taylor's Checkerspot, and are widely distributed on the Settlement Lands.
5. Taylor's Checkerspot will be eliminated from the Settlement Lands through forest regrowth (if left unchecked) through shading of the vernal pools/wetlands.

These impacts are already underway, and the population size will steadily decrease over the next (20?) years. There is potential on the Settlement Lands for maintaining suitable habitat.

6. The Dun Skipper (*Euphyes vestris*, Western population), which is SARA-listed as nationally **Threatened**, is present on the Settlement Lands and may be using the same reproductive habitats as Taylor's Checkerspot.

Further study and planning for maintaining the butterfly population is expected.

J Thornton

Central Park Planning

We would like to thank everyone who recently provided their thoughts for potential uses of Central Park. The input received from questionnaires and attendance at community and neighbour's meetings is being used by the recently formed Central Park Committee to draft a management plan. Guided by a mandate of balancing public uses with protection of wildlife habitat, this committee, consisting at present of Annie Corddry (chair), Denise MacKean, Sonya Edelston, John Tallerino and Carroll Taylor-Lindoe continues to welcome ideas from any interested people. There is still room on the committee for one more member. Call any of the above if you would like to join us.

One recent rainy Saturday afternoon, 12 brave souls spent about two hours improving one of the main existing loop trails. A big thank you to them. That trail, with entrances across from the Old School and at the corner of Denman road and North Central road, is now cleared of Alder saplings and encroaching branches and is ready for use this winter by walkers, bicyclists and equestrians. Please keep your dogs on leash or under control. There will be many more opportunities for trail work, so let one of us know if you'd like to be added to our volunteer list.

Annie Corddry (- 2762)

In Perpetuity:

DCA to create Endowment Fund

Now that Conservancy actually owns three properties and is committed to keep them in a protected status, it becomes evident that there are responsibilities and ongoing expenses to go with this happy situation. Obviously things like planning, physical oversight, maintenance and insurance spring to mind. However, conservation efforts will hopefully carry on into the future in perpetuity. Now that's a long time!

DCA decided recently to establish an endowment of \$100,000 with the Vancouver Foundation. Vancouver Foundation is Canada's largest and one of North America's oldest community foundations, serving communities throughout British Columbia. Currently, Vancouver Foundation is the custodian of over 1,000 endowment funds with a total market value of approximately \$800 million. The fees charged for fund management are relatively low, less than 1%, and the disbursement rate has averaged just over 10% in the past four years. The DCA fund will not be devoted completely towards endowing specific properties but yearly dividend payments could be directed to improvements and maintenance of properties already owned or to future acquisitions. Limited retractability also gives us flexibility if opportunities arise. DCA is in the fortunate position of being able to establish this endowment fund due to recent, substantial donations including the bequest received from Brian Boxall's estate, the transfer from the United States of funds held there on our account, the transfer to DCA of the balance of the Denman Community Forest Cooperative funds upon the windup of the Coop, as well as our own fundraising activities and of course the ongoing generosity of our supporters. DCA feels this fund will provide more confidence to donors that their gifts will be professionally managed and will support a stable on-going conservation effort. In fact we hope it will encourage people to seriously consider DCA for charitable donations that will carry into the future or for bequests in their wills. In that light it may be a good time, pre tax-deadline, to remind islanders of the advantages of donating to a charity. The benefits for payers of capital gains tax are significant making such gains on transferred stock tax-free. Add to that the tax deduction for charitable gifts applied to all donations and it is a substantial consideration. Of course this is true for other groups besides DCA but seeing direct results of a donation in your own backyard feels great. Contact DCA treasurer, if you wish to learn more – **Dave Freeman** at -2535.

Out and About

If you have visited Winter Wren Wood lately you will have seen the fine viewing bench created by **Tomas Hajek**. It was donated by **Marilyn Jensen** and **Dennis Forsyth** in memory of Marilyn's mother, **Muriel Graham**.



Photo by John Millen

'No Hunting' signs were posted around the Island early in October on various Conservancy and Island Trust Fund Nature Reserves. If you are not sure exactly where these properties are, for example Inner Island Nature Reserve on Pickles Road, these signs make a good guide.

Where is DCA in the Denman Northlands debate?

Denman Conservancy has made no statements or representations about the application to the Islands Trust to develop the North Denman lands because the Board believes that members of DCA have a considerable variety of opinions about the proposal that they will wish to present themselves, as indeed do members of the Board. DCA is following a policy about such issues that the Board established in 2004. With some exceptions, under this policy:

-we do not take a position in support of, or in opposition to, a development proposal whether it is on or off Denman Island

-we do not undertake projects that include development as a component.

DCA Home and Garden Tour

The Denman Conservancy Association's annual Home and Garden Tour fund-raiser will take a break in 2008. The tour has been going non-stop for 17 years and needs a little refocusing to stay current. Our plan is to take next summer off to rethink, renew and relaunch the Home and Garden Tour.

The tour was started all those years ago to raise money for the purchase of the Inner Island Nature Reserve and the Lindsay-Dickson Forest. Literally thousands of volunteers have participated in this fabulous and famous fund-raiser, supported by gardeners and nature lovers on Denman Island and as far afield as Japan. Over the years the Tour has provided many thousands of dollars to fund projects and purchases of the Denman Conservancy Association. We honour the contributions of all the gardeners, volunteers and co-coordinators whose efforts have made our Tour function and continue.

If imitation is the sincerest form of flattery, all those who have made the DCA's Home and Garden Tour possible can feel proud. Garden tours have become very popular since our tour began. Now there is a lot of competition for gardeners' attention. Ferry fares are rising to new dizzying heights and are starting to scare off Tour goers. In recent years we have depended on the same few gardeners to be the mainstays of the tour. This year two of those wonderful gardens are not going to be available for the tour and this felt like a sign that something needs to change.

What would you like to see in 2009? More vegetable gardens? Green building techniques? Self-sufficient living? Designer outhouses? Want to be on the Tour in 2009? We very much value and welcome your input and want to hear from you! Please contact **Lee Andra Jacobs**, Chair DCA Fund-raising Committee at -1802 or write to Box 60, Denman Island, B.C. V0R 1T0

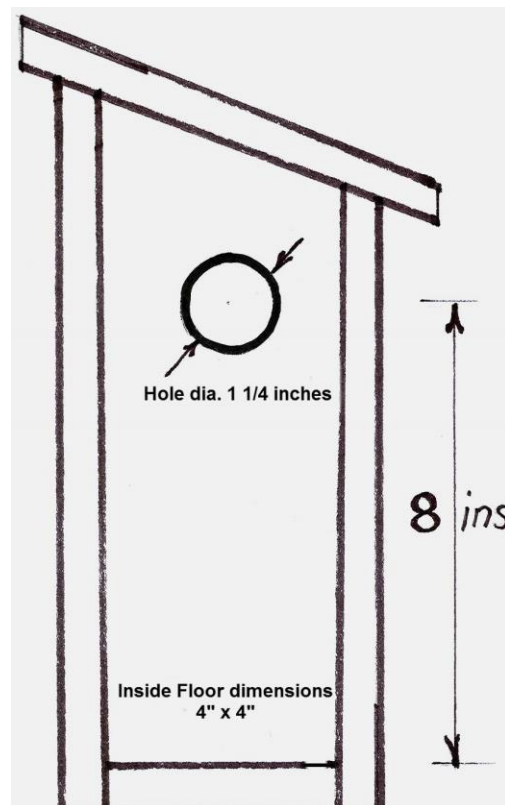
Look for the DCA booth at the Christmas Craft Faire:

On December 1 and 2 visit the DCA booth to check out our new postcards, caps and Tee shirts, and renew your membership.

Thanks to volunteers Carol Freeman, Annie Corddy, Patrick Fawkes, Susan-Marie Yoshihara, John Millen and J Thornton for assistance in producing this Newsletter.

A Winter Project

Build a Swallow Nest Box



Violet-green swallows will use this nest box year after year. It is a thrill to watch the returning family claim their home each year in late March. Then later comes the frantic feeding of the growing family. If you are lucky, you will see the first flight of some youngster. Swallows are voracious hunters of mosquitoes and other insects.

Construction tips:

Use rough, unpainted cedar boards. The floor is four inches square inside. The hole diameter of one and a quarter inches and its height above the floor is critical, to keep out predator birds.

Locate the box at least 12 feet above ground in partial or full sun; under high eaves is a good spot. Have a clear approach fly path.

Make the roof or one side removable so you can clean the nest box each year after the swallow family has left for the winter. This prevents the accumulation of mites which would harm the young nestlings.

Put up the nest box by mid-March, ready to be found by returning swallows in the latter half of the month.

Calling Denman Teenage Volunteers!

The Doug Olstead Award for Community Service

In March 2005, the Denman Conservancy Association (DCA) established an award in the name of Doug Olstead to thank him for his generous contribution to Denman Island and in particular to DCA.

I am sorry to say that during 2006 DCA did not receive an application for this award. We do hope that teenagers might tell us about their volunteer work on Denman during 2007 to be considered for the award of **two hundred dollars (\$200)**.

There are several opportunities to participate in volunteer work on Denman. You might assist at the up coming Christmas Craft Fair, (DCA has an information table and other charitable organizations do as well), assist with Trail building; lead, assist, or initiate Conservancy walks, help with bird counts, work at the Recycle Depot, or help at the Community School. These are just some suggestions. Donating your time, not scholastic excellence, is the primary factor for this award.

Any interested student, or a person knowing a student whose name should be brought to the attention of DCA should do so in writing to The Secretary of Denman Conservancy Association, Box 60, Denman Island, B.C. V0R 1T0 **before December 31, 2007**.

The Denman Craft Shop

Denman Conservancy would like to recognize and thank **The Denman Craft Shop**. During the Month of April 2007 their featured display was our hand woven Rug for raffle and they sold tickets. This co-operative group of crafts people stock and sell DCA's Tee shirts, Island Maps, DCA Caps, and now we have added Post Cards to our product line. They do all this as a fundraising effort on behalf of Denman Conservancy. This task means taking special care to keep track of items that may be among other purchases in the store. And they do it with smiles and pleasure. *Carol Freeman*

♪♪♪ The Holly and the Ivy ♪♪♪

No, this is not our theme music! These are two egregious invasive species of plants plaguing the Lindsay-Dickson Nature Reserve. Actually, though less poetic, Scotch Broom is of more immediate concern than Holly. While recently surveying to update the ecological baseline of the Reserve for Islands Trust Fund (ITF) **Jenny Balke** found that Ivy and Broom were spreading to an extent that raises serious concerns. The English Ivy on the coastal bluffs is threatening to smother some rare plant assemblies and in the old log landing adjacent to the top of Mallard Road the Broom is taking hold. Broom will not soon be shaded out in that location as tree growth on the shallow soil there is slow.

DCA has made a budget request to ITF for funds to provide technical guidance and supervision for a removal effort next season.

On the Railway Grade Trail



A crew led by **J Thornton** recently replaced the tricky (balance on a narrow log) creek crossing on the Railway Grade Marsh trail with a sturdy bridge.

Walks and Talks

Railway Grade Marsh Saturday November 3

Join **Andrew Fyson** to hike around the Conservancy covenant area on the Railway Grade Marsh. Meet at the north end of the big clearcut on Northwest Road, (just before the entrance to Komas Ranch) 10 am Saturday 3 November. For info call Andrew -9047

Winter Waterbird Watch December 1

Meet with **Mike Morrell** at the Old School Centre at 10 am, Saturday December 1, before going on to the beach to see birds.

Patrick Fawkes

DCA Booksale at the Blackberry Fair

Many thanks to those who braved the elements, and to the donors who provided the literary treats for the booksale. Donations toward the Central Park purchase totalled \$510.23. Paul Beauchemin and Jeanne Ralston won the Nature Trust of BC books from the mini-draw.